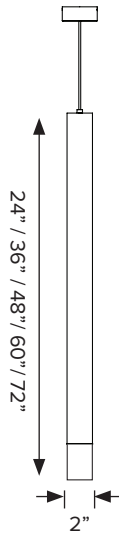




2" BACHETTA VERTICALE SLIM W/ DOWNLIGHT

2" LED ACRYLIC TUBE PENDANT W/ DOWNLIGHT

Project	Type	Catalog #



FEATURES

- Slim architectural form with 2" OD
- Uniform vertical illumination
- Architectural discrete profile
- Polished sealed acrylic lower cap conceals LED, reduces glare and provides even uniform illumination.
- Canopy, stem and luminaire cap feature matching finish

CANOPY

- Multiple materials and finishes available including stainless steel #4, polished stainless steel, aluminum powder coat in white, black or silver. Brass and copper available by special order.
- Available in white, black or silver
- Standard mount is 8ft with adjustable power cord
- 3/8" rigid stem option available

LED SPECIFICATIONS

- 2700K, 3000K, 3500K AND 4100K
- 95 CRI
- >50,000 HOURS L70
- 2-step MacAdam Ellipse Binning

POWER SUPPLY

- 120V or 277V input; Power factor >.9, 50/60Hz
- This product complies with IEEE C62.41 for surge endurance up to 2.5KV

FIXTURE DATA

SO - Standard Output

Model @ 3000°K	Efficacy lm/Wt	Delivered Lumens	Total Wattage
24"	92*	1300	14W
36"	95*	2000	21W
48"	92*	2600	28W
60"	91*	3200	35W
72"	93*	3900	42W

HO - High Output

Model @ 3000°K	Efficacy lm/Wt	Delivered Lumens	Total Wattage
24"	92*	2600	28W
36"	95*	3800	42W
48"	92*	5200	56W
60"	91*	6500	70W
72"	93*	7700	84W

DIMMING

- 0-10V Dimming 1%
- Forward/reverse dimming 1% (120V only)
- Lutron® LDE1 Hi-Lume 1% EcoSystem

COMPLIANCE

- ETL listed to US and Canadian standards for damp locations
- Tested in accordance with LM-79-08
- Title 24 commercial installation compliant

MOUNTING

- Remote or integral power supply
- Lutron only available with remote power supply option
- Driver enclosure included. Maximum 18' from fixture and must remain accessible.
- Aircraft cable, cord or 3/8" rigid stem available

DOWNLIGHT

- High performance downlight available in variety of outputs
- High quality die-cast trim matches canopy finish specification

EMERGENCY BACKUP

- Remote test switch included. External battery operates LED load of up to 7W at a minimum of 400 lumens for 90 minutes. IOTA part #ILB-CP07-A

WARRANTY

- 3-Year LED Limited Warranty

Example: BV236WSO30D108C1030FL

Product Code	Length	Canopy	Wattage	CCT	Dimming	Mounting / Driver	Options
BV2: 2" Bachetta Verticale	24: 24"	SS: Stainless Steel	SO: 7W per ft	27: 2700K	D10: 0-10V Dimming 1%	I8C: 8' Cord Integral Driver	EM: Emergency Backup 7W
	36: 36"	SP: Stainless Steel	HO: 14W per ft	30: 3000K	D: Phase Dimming		
	48: 48"	Polished		35: 3500K	LUT: Lutron EcoSystem 1%	R8C: 8' Cord Remote Driver	
	60: 60"	W: White		40: 4000K		R8R: 8' Rigid Stem Remote Driver	
	72: 72"	B: Black S: Silver BR: Brass 1 CO: Copper 1					

Downlight Spec

Wattage/Lumens	CCT / CRI	Optic
16: 16W 1000lm	27: 2700K 95 CRI	SP: 15° Spot
	30: 3000K 95 CRI	NFL: 25° Narrow Flood
	40: 4000K 95 CRI	FL: 36° Flood

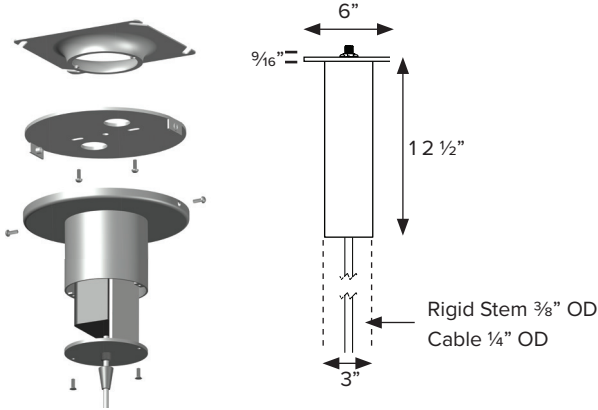
1. Special Order. Consult factory for lead time.
2. Not available with 2" diameter light tube



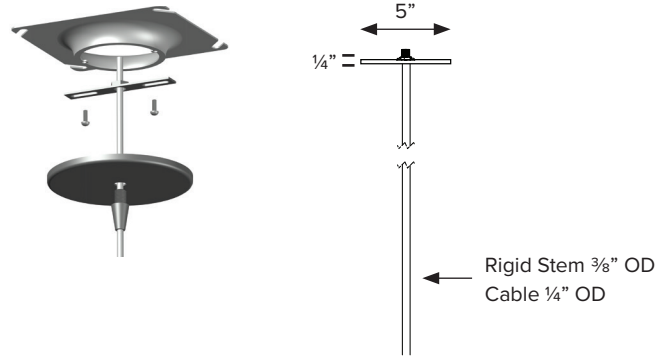
2" BACHETTA VERTICALE SLIM W/ DOWNLIGHT

2" LED ACRYLIC TUBE PENDANT W/ DOWNLIGHT

CANOPY W/ INTEGRAL POWER SUPPLY



CANOPY W/ REMOTE POWER SUPPLY



REMOTE POWER SUPPLY SPECIFICATION

POWER SUPPLY SPECIFICATION

- Exceeds California Title 24 Requirements,
- AAA rating
- High performance LED driver
- Universal Input Voltage: 120-277V AC
- Universal dimming with ELV, Triac & 0-10V dimmers 100-0%
- Flicker free dimming
- Aluminum casing for optimal heat dissipation
- Isolated output power per NEC and UL safety requirements
- UL & ETL recognized/ listed, meets UL 8750, 1310 requirements
- Auto-reset; short circuit, overload and thermal protection
- Class 2 power supply
- Efficient, High power factor > 0.90

Remote driver box
Damp location

