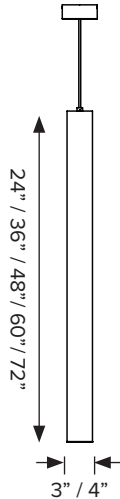




# BACHETTA VERTICALE

## 3" / 4" LED ACRYLIC TUBE PENDANT

Project	Type	Catalog #



### FEATURES

- 3" and 4" tube diameter
- Uniform vertical illumination
- Architectural discrete profile
- Polished sealed acrylic lower cap conceals LED, reduces glare and provides even uniform illumination.
- Canopy, stem and luminaire cap feature matching finish

### CANOPY

- Multiple materials and finishes available including stainless steel #4, polished stainless steel, aluminum powder coat in white, black or silver. Brass and copper available by special order.
- Available in white, black or silver
- Standard mount is 8ft with adjustable power cord
- 3/8" rigid stem option available

### LED SPECIFICATIONS

- 2700K, 3000K, 3500K AND 4100K
- 95 CRI
- >50,000 HOURS L70
- 2-step MacAdam Ellipse Binning

### POWER SUPPLY

- Remote or Integral options
- 120V or 277V input; Power factor >.9, 50/60Hz
- This product complies with IEEE C62.41 for surge endurance up to 2.5KV

### DIMMING

- 0-10V Dimming 1%
- Forward/reverse dimming 1% (120V only)
- Lutron® LDE1 Hi-Lume 1% EcoSystem - Remote mount only

### COMPLIANCE

- ETL listed to US and Canadian standards for damp locations
- Tested in accordance with LM-79-08
- Title 24 commercial installation compliant

### MOUNTING

- Remote or integral power supply
- Lutron only available with remote power supply option
- Remote driver enclosure included. Maximum 18' from fixture and must remain accessible.
- Cord or 3/8" rigid stem available

### EMERGENCY BACKUP

- Remote test switch included. External battery operates LED load of up to 7W at a minimum of 400 lumens for 90 minutes. IOTA part #ILB-CP07-A

### WARRANTY

- 3-Year LED Limited Warranty

### FIXTURE DATA

#### SO - Standard Output

Model @ 3000°K	Efficacy lm/Wt	Delivered Lumens	Total Wattage
24"	92*	1300	14W
36"	95*	2000	21W
48"	92*	2600	28W
60"	91*	3200	35W
72"	93*	3900	42W

#### HO - High Output

Model @ 3000°K	Efficacy lm/Wt	Delivered Lumens	Total Wattage
24"	92*	2600	28W
36"	95*	3800	42W
48"	92*	5200	56W
60"	91*	6500	70W
72"	93*	7700	84W

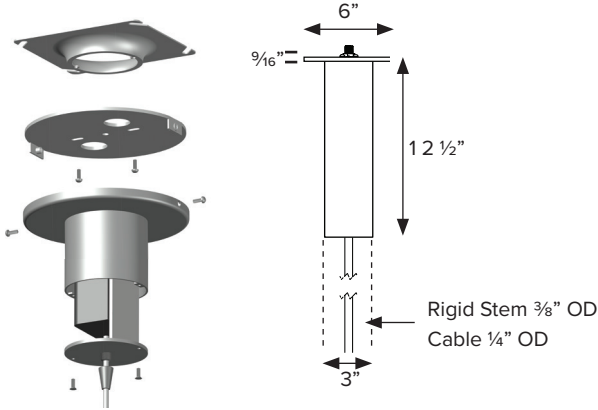
Example: BV436WSO30D108C

Product Code	Diameter	Length	Canopy	Wattage	CCT	Dimming	Mounting	Options
<b>BV:</b> Bachetta Verticale	<b>3:</b> 3" OD <b>4:</b> 4" OD	<b>24:</b> 24" <b>36:</b> 36" <b>48:</b> 48" <b>60:</b> 60" <b>72:</b> 72"	<b>SS:</b> Stainless Steel <b>SP:</b> Stainless Steel Polished <b>W:</b> White <b>B:</b> Black <b>S:</b> Silver <b>BR:</b> Brass <sup>1</sup> <b>CO:</b> Copper <sup>1</sup>	<b>SO:</b> 7W per ft <b>HO:</b> 14W per ft	<b>27:</b> 2700K <b>30:</b> 3000K <b>35:</b> 3500K <b>40:</b> 4000K	<b>D10:</b> 0-10V Dimming 1% <b>D:</b> Phase Dimming <b>LUT:</b> Lutron EcoSystem 1% <sup>2</sup>	<b>I8C:</b> 8' Cord Integral Driver <b>I8R:</b> 8' Rigid Stem Integral Driver <b>R8C:</b> 8' Cord Remote Driver <b>R8R:</b> 8' Rigid Stem Remote Driver	<b>EM:</b> Emergency Backup 7W

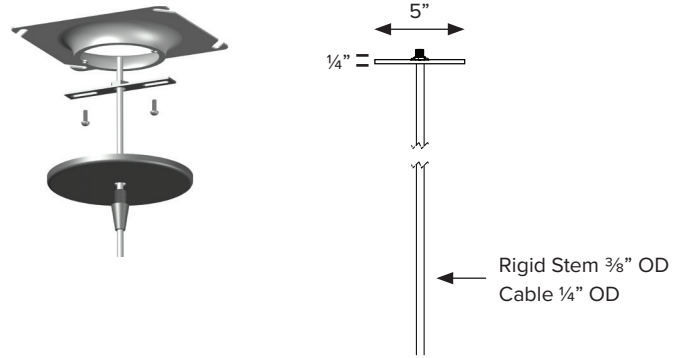
1. Special Order. Consult factory for lead time.

1. Lutron driver only available with remote mount option

## CANOPY W/ INTEGRAL POWER SUPPLY



## CANOPY W/ REMOTE POWER SUPPLY



## REMOTE POWER SUPPLY SPECIFICATION

### POWER SUPPLY SPECIFICATION

- Exceeds California Title 24 Requirements,
- AAA rating
- High performance LED driver
- Universal Input Voltage: 120-277V AC
- Universal dimming with ELV, Triac & 0-10V dimmers 100-0%
- Flicker free dimming
- Aluminum casing for optimal heat dissipation
- Isolated output power per NEC and UL safety requirements
- UL & ETL recognized/ listed, meets UL 8750, 1310 requirements
- Auto-reset; short circuit, overload and thermal protection
- Class 2 power supply
- Efficient, High power factor > 0.90

Remote driver box  
Damp location

